

Motion detector - Professional Line

IS 345

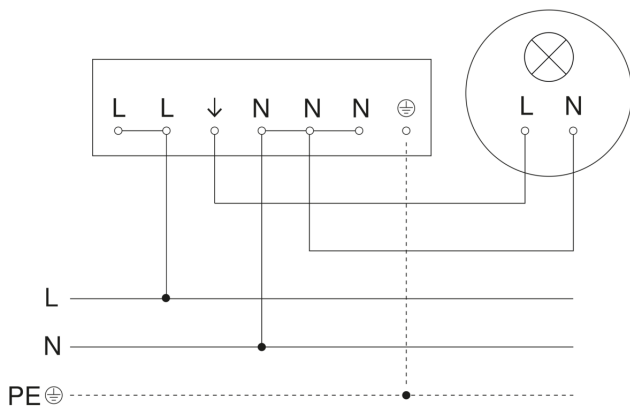
COM1 - surface, sq.
EAN 4007841 010485
Article number 010485



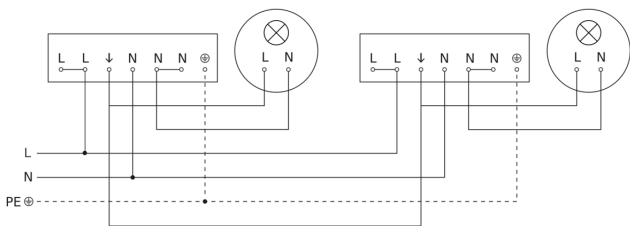
IS 345

COM1 - surface, sq.
EAN 4007841 010485
Article number 010485

Master circuit diagram



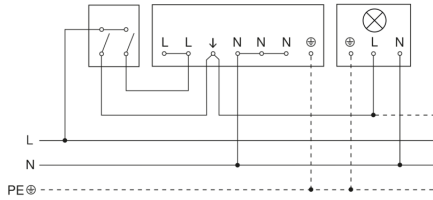
Circuit diagram for interconnecting several sensors



IS 345

COM1 - surface, sq.
EAN 4007841 010485
Article number 010485

Connection using two-circuit switch for manual and automatic operation



Circuit diagram Connection via a changeover switch for continuous and automatic operation

